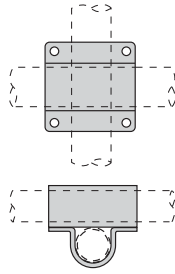


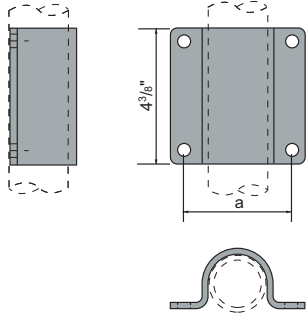
U-BRACKETS

All **U-brackets** are made for a friction fit. For *slip-fit*, add spacers beneath the mounting area. All holes are 7/16" diameter.

Numbers in *Italics* denote items that may not be available for immediate shipment.



May be placed back-to-back to create cross connections.



All metals have a recycled content and high reclamation rate. Contact **Wagner** for data relating to your specific product selections.



Elia • Press

U-BRACKETS

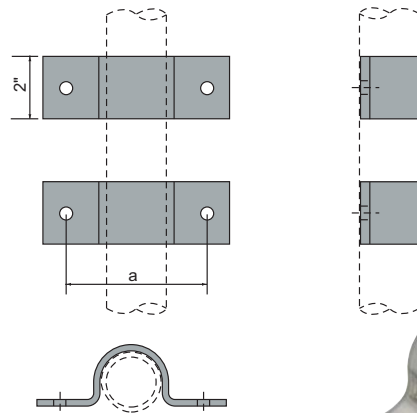
4 3/8" High, 3/16" Thick

-NH denotes part with no holes.

Pipe Size	Tube OD	a	Steel	3003 Aluminum	304 Stainless
1 1/4"	1.660"	3 1/2"	3682	3683	3682-SS
1 1/4"	1.660"	3 1/2"	3682-NH	3683-NH	3682-SS-NH
1 1/2"	1.900"	3 1/2"	3684	3685	3684-SS
1 1/2"	1.900"	3 1/2"	3684-NH	3685-NH	3684-SS-NH
2.000"	2.000"	3 1/2"	3727	3727A	3727-SS
2.000"	2.000"	3 1/2"	3727-NH	3727A-NH	3727-SS-NH
2"	2.375"	4"	3684A	3685A	3685-SS
2"	2.375"	4"	3684A-NH	3685A-NH	3685-SS-NH



Pat • Engineering



U-BRACKETS

2" Wide, 3/16" Thick (except as noted)

-NH denotes part with no holes

Pipe Size	Tube OD	a	Steel	3003 Aluminum	304 Stainless
1"	1.315"	3 3/4"	3741*	3741A*	3741-SS
1"	1.315"	3 3/4"	3741-NH*	3741A-NH*	3741-SS-NH
1.500"	1.500"	4 1/2"	3722•	3722A	3722-SS
1.500"	1.500"	4 1/2"	3722-NH•	3722A-NH	3722-SS-NH
1 1/4"	1.660"	4 1/2"	3750*	3756*	3762-SS
1 1/4"	1.660"	4 1/2"	3750-NH*	3756-NH*	3762-SS-NH
1 1/2"	1.900"	4 1/2"	3752*	3758*	3764-SS
1 1/2"	1.900"	4 1/2"	3752-NH*	3758-NH*	3764-SS-NH
2.000"	2.000"	4 1/2"	3723	3723A	3723-SS
2.000"	2.000"	4 1/2"	3723-NH	3723A-NH	3723-SS-NH
2"	2.375"	4 1/2"	3754*	3755A*	3755-SS
2"	2.375"	4 1/2"	3754-NH*	3755A-NH*	3755-SS-NH
2 1/2"	2.875"	5 3/4"	3755*	3755A*	3755-SS
2 1/2"	2.875"	5 3/4"	3755-NH*	3755A-NH*	3755-SS-NH

* 1/4" Thick, Alloy 5052

- BRACKETS
- WELD FITTINGS
- ELBOWS
- FLANGES
- SPHERES CAPS
- SLIP-ON FITTINGS