

# U-1833 KEE KLAMP® TIRE RACK

MAX. LOAD PER 2' x 5'-3" SHELF 800 Lbs.

## KEE KLAMP

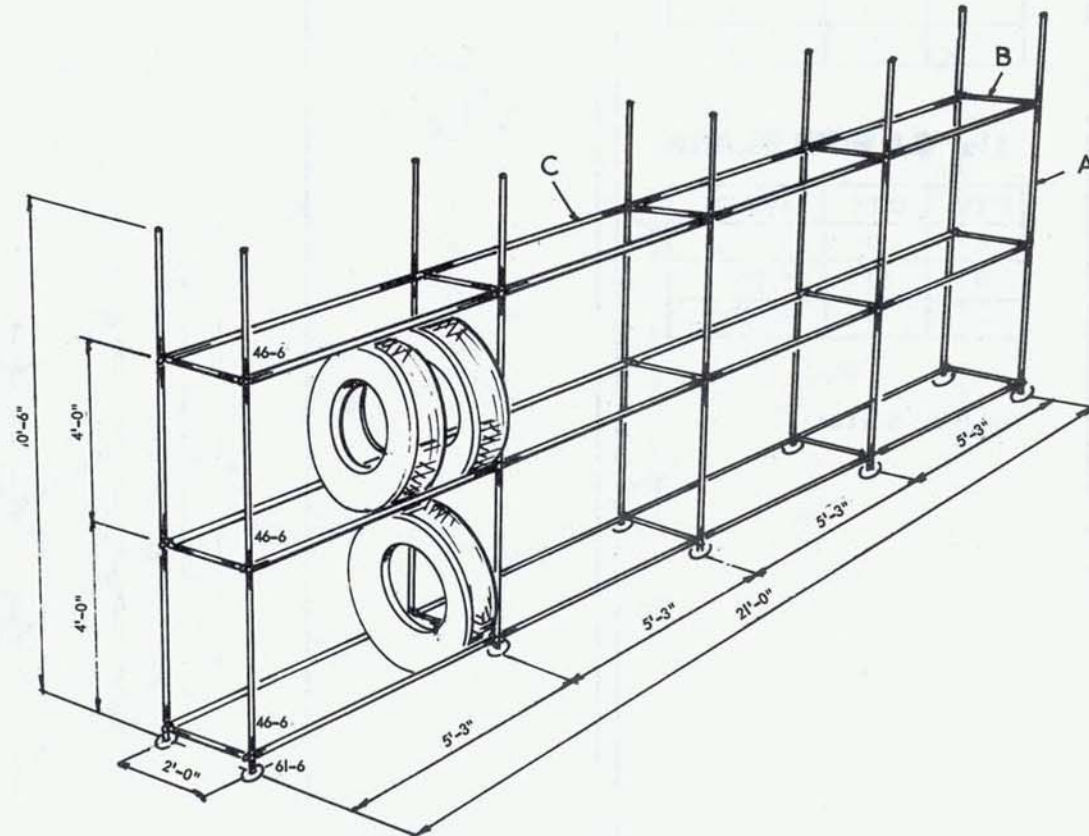
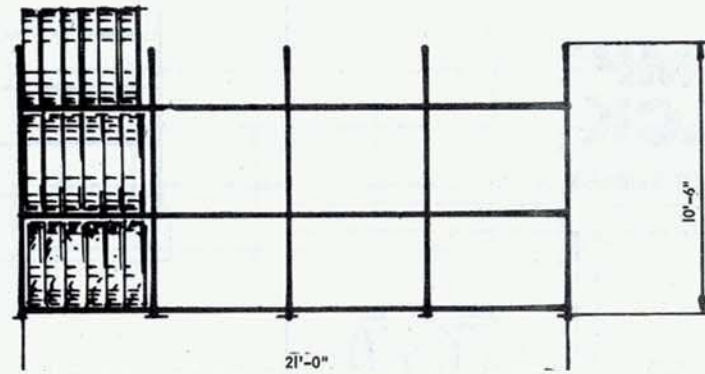
ITEM	Q'TY	PART
1	30	KK46-6
2	10	KK61-6

## 1" S.I. PIPE BLACK

ITEM	Q'TY	LENGTH
A	10	10'-6"
B	15	1'-7½"
C	6	21'-2"

SHIP. WT. 460 Lbs.

NOTE: Dimensions and KEE-KLAMP / Pipe sizes shown are examples. See our catalog for complete information.



KEE KLAMP DIVISION Kee Industrial Products Inc.

Available From

P.O. BOX 423 • BUTLER, WISCONSIN 53007

Phone (888) 243 6914 Fax (414) 214-0450



Our Website: [www.wagnercompanies.com](http://www.wagnercompanies.com)

E-mail address: [info@mailwagner.com](mailto:info@mailwagner.com)