

# U-1799A KEE KLAMP® SOLAR PANEL FRAME

## KEE KLAMP

ITEM	QTY	PART
1	2	KK45-6
2	1	KK46-6
3	2	KKC50-66
4	1	KK61-6
5	1	KK70-6

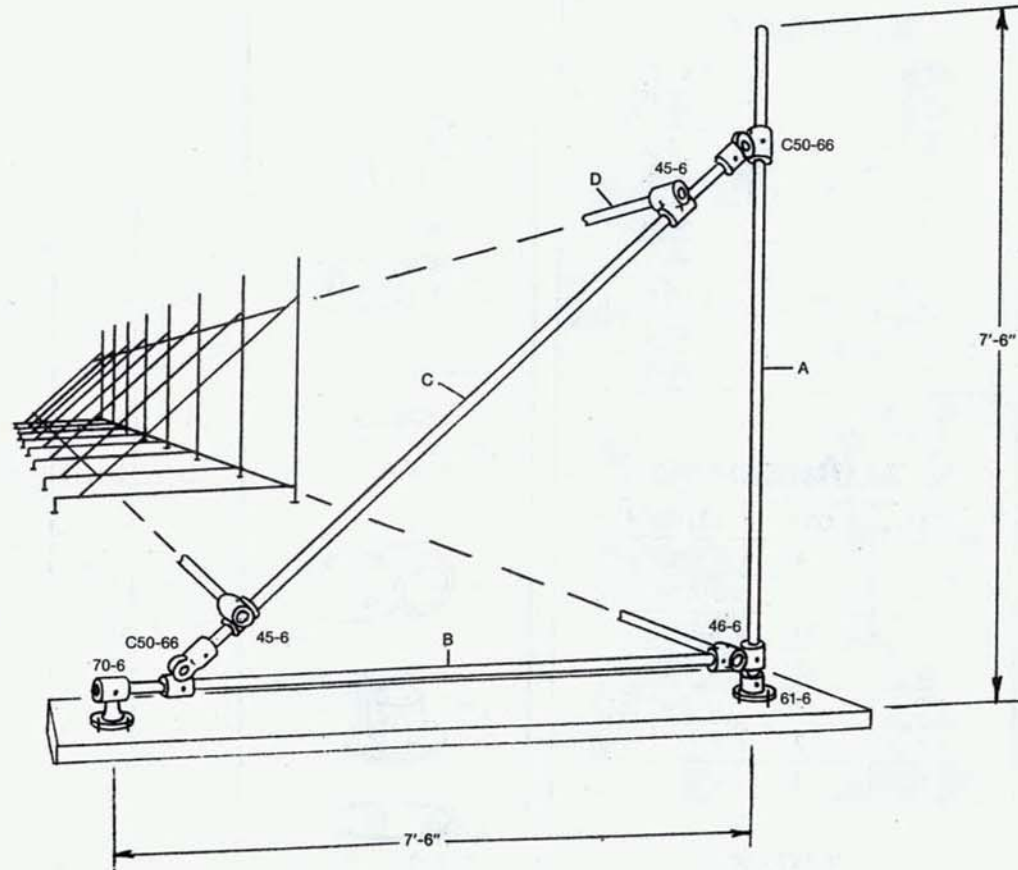
## 1" S.I. PIPE GALV.

ITEM	QTY	LENGTH
A	1	7'-6"
B	1	7'-6"
C	1	10'-8"
D	VARIABLE	21'-0"

FOR ONE FRAME ONLY

SHIP. WT. 50 lbs.

NOTE: Dimensions and KEE-KLAMP / Pipe sizes shown are examples. See our catalog for complete information.



KEE KLAMP DIVISION Kee Industrial Products Inc.

Available From

P.O. BOX 423 • BUTLER, WISCONSIN 53007

Phone (888) 243 6914 Fax (414) 214-0450



Our Website: [www.wagnercompanies.com](http://www.wagnercompanies.com)

E-mail address: [info@mailwagner.com](mailto:info@mailwagner.com)