

# U-1841 KEE KLAMP® RAILING

## KEE KLAMP

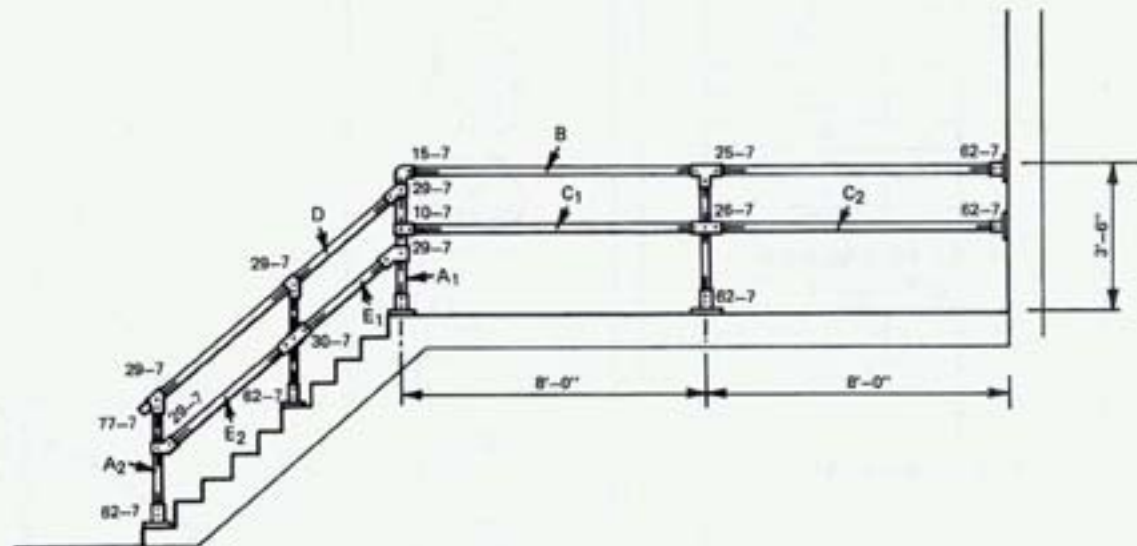
ITEM	Q'TY	PART
1	1	KK10-7
2	1	KK15-7
3	1	KK26-7
4	5	KK29-7
5	6	KK62-7
6	1	KK30-7
7	1	KK25-7
8	1	KK77-7

## 1 1/4" S.I. PIPE GALV

ITEM	Q'TY	LENGTH
A <sub>1</sub>	2	3'-4"
A <sub>2</sub>	2	3'-0"
B	1	15'-11"
C <sub>1</sub>	1	7'-10 1/2"
C <sub>2</sub>	1	7'-11"
D	1	8'-9"
E <sub>1</sub>	1	3'-3"
E <sub>2</sub>	1	4'-3"

SHIP. WT. 150 Lbs.

NOTE: Dimensions and KEE-KLAMP / Pipe sizes shown are examples. See our catalog for complete information.



KEE KLAMP DIVISION Kee Industrial Products Inc.

Available From

P.O. BOX 423 • BUTLER, WISCONSIN 53007

Phone (888) 243 6914 Fax (414) 214-0450



Our Website: [www.wagnercompanies.com](http://www.wagnercompanies.com)

E-mail address: [info@mailwagner.com](mailto:info@mailwagner.com)