

# U-1839 KEE KLAMP® POSTS FOR RAILING

KEE KLAMP DIVISION Kee Industrial Products Inc.

Available From

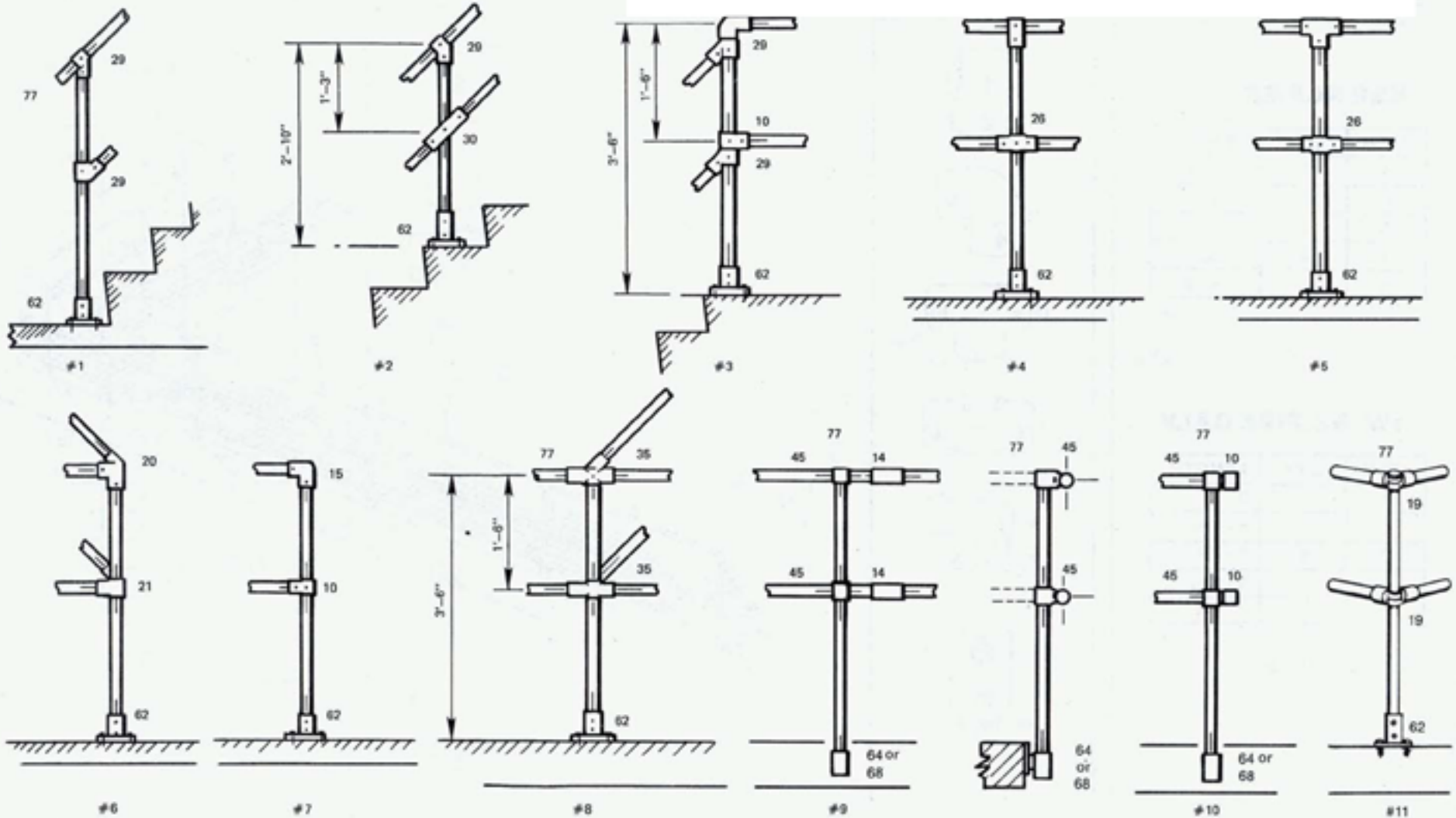
P.O. BOX 423 • BUTLER, WISCONSIN 53007

Phone (888) 243 6914 Fax (414) 214-0450



Our Website: [www.wagnercompanies.com](http://www.wagnercompanies.com)

E-mail address: [info@mailwagner.com](mailto:info@mailwagner.com)



NOTE: Dimensions and KEE-KLAMP / Pipe sizes shown are examples. See our catalog for complete information.