

U-1847 KEE KLAMP® PICK-UP TRUCK FRAME

KEE KLAMP

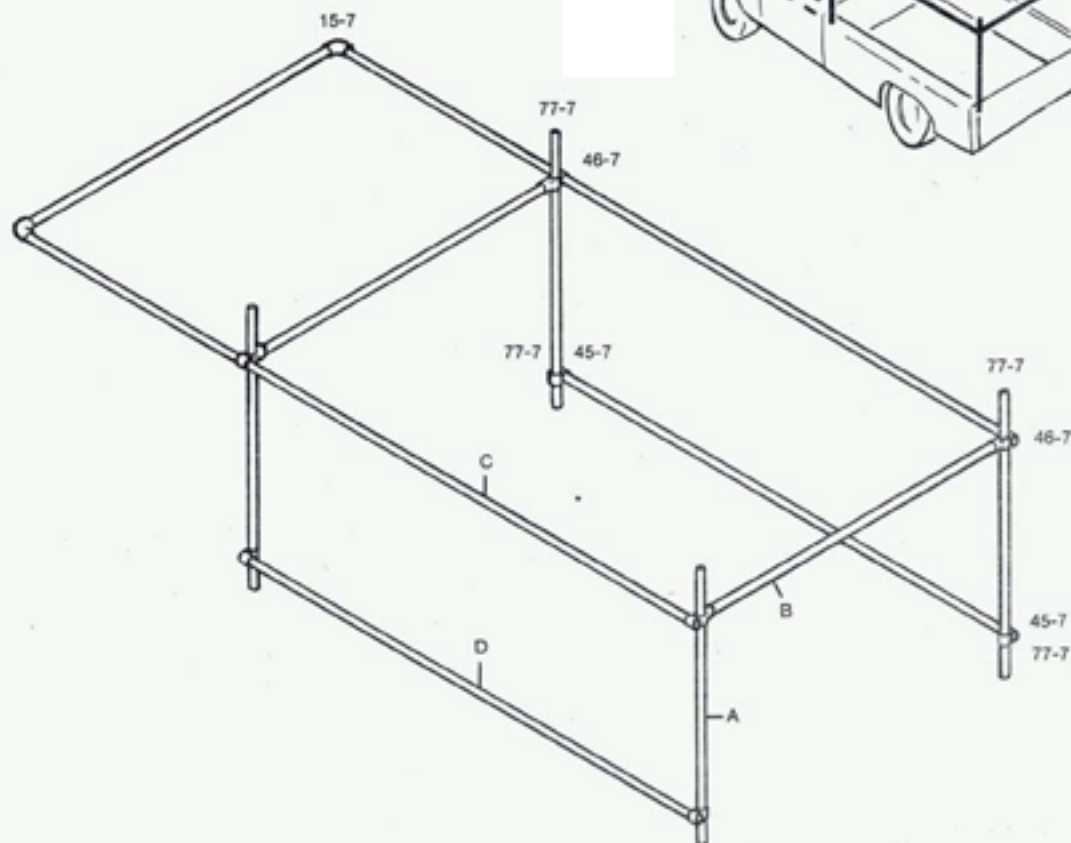
ITEM	Q'TY	PART
1	2	KK15-7
2	4	KK45-7
3	4	KK46-7
4	10	KK77-7

1 1/4" S.I. PIPE GALV

ITEM	Q'TY	LENGTH
A	4	4'-6"
B	3	5'-0"
C	2	12'-0"
D	2	8'-0"

SHIP. WT. 180 Lbs.

NOTE: Dimensions and KEE-KLAMP / Pipe sizes shown are examples. See our catalog for complete information.



KEE KLAMP DIVISION Kee Industrial Products Inc.

Available From

P.O. BOX 423 • BUTLER, WISCONSIN 53007

Phone (888) 243 6914 Fax (414) 214-0450



Our Website: www.wagnercompanies.com

E-mail address: info@mailwagner.com