

BRACKETS

WELD FITTINGS

ELBOWS

FLANGES

SPHERES CAPS

SLIP-ON FITTINGS

STRAIT-O-FLEX Distributed Exclusively by **Wagner**
 Through an exclusive arrangement with the Strait-O-Flex Corporation, **Wagner** is pleased to include this legendary tool in our catalog. The **Strait-O-Flex's** versatility and portability has made it an indispensable mainstay of miscellaneous metal fabricators for decades.

Work to be straightened or curved is set on the two adjustable support blocks and pressure is applied via the lever. The lever acts on an eccentric shaft and roller-bearing mounted pressure roll to apply five tons of pressure with minimal effort.

STRAIGHTENING

Use the **Strait-O-Flex™** for straightening stringers, floor gratings, plates, channel door frames, pipe, bars or angles that have been deformed during welding or punching.

BENDING

The **Strait-O-Flex™** may be used for large radius bending of pipe, bars, handrail moulding, tubing, and small angles or channels.

PORTABLE AND SIMPLE TO USE

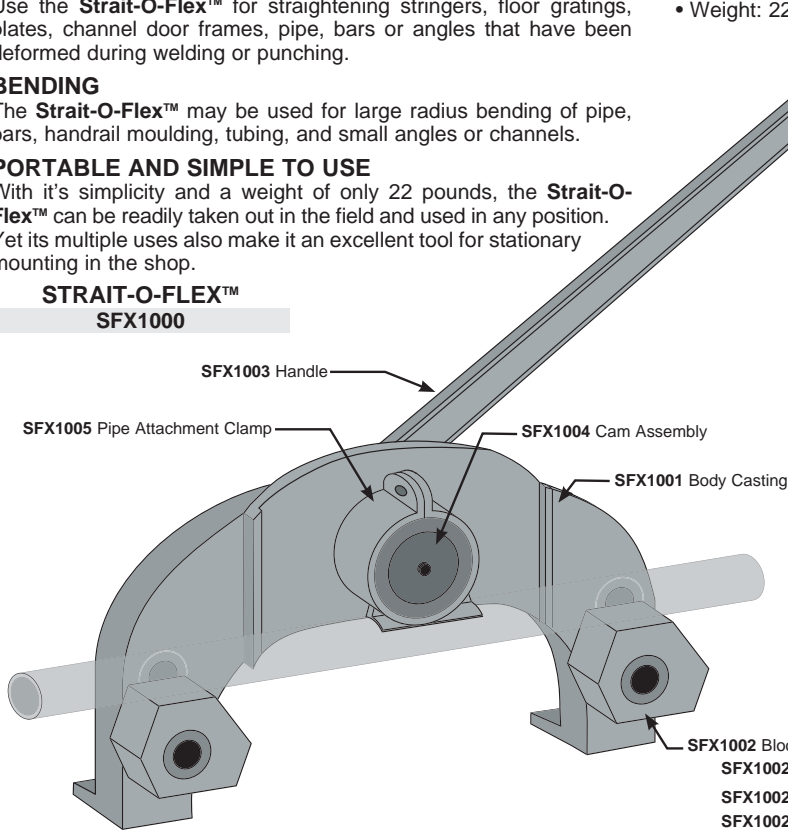
With it's simplicity and a weight of only 22 pounds, the **Strait-O-Flex™** can be readily taken out in the field and used in any position. Yet its multiple uses also make it an excellent tool for stationary mounting in the shop.

Technical Data:

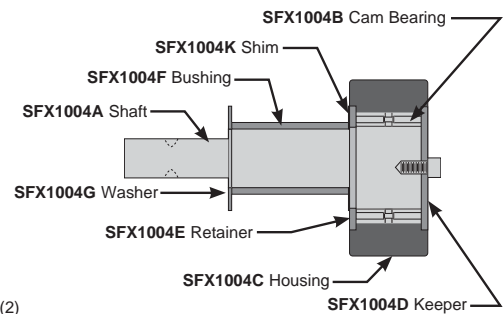
- Frame, support blocks and lever are produced from high-strength, cast aluminum.
- Pressure roll, eccentric shaft and pins are of heat treated steel.
- Maximum stroke of pressure roll: 3/8"
- Center to center dimension of support blocks: 16"
- Frame Dimensions: 19" wide; 11" high; 2" x 4" box section
- Adjustments of support blocks and pins provide 63 working heights between surfaces of support blocks and pressure roll – from 1/8" to 2 5/8".
- Pressure roll attachment for up to 1 1/2" pipe is provided.
- Weight: 22 pounds.

No extension or "cheater bars" should be attached to the handle. This will result in handle breakage and will require replacement at purchaser's expense.

STRAIT-O-FLEX™
SFX1000



SFX1004 Cam Assembly Parts List



- SFX1002 Blocks (2)
- SFX1002A Block Pins (2)
- SFX1002B Compression Springs (2)
- SFX1002C Washers (2)



SFX1004F Bushing

If the bushing is worn out, the entire unit is most likely very worn. Contact **Wagner** for more information.



SFX1004E Retainer



SFX1004G Washer



SFX1004A Shaft



SFX1004C Housing



SFX1004B Cam Bearing



SFX1004D Keeper



SFX1004 Cam Assembly