

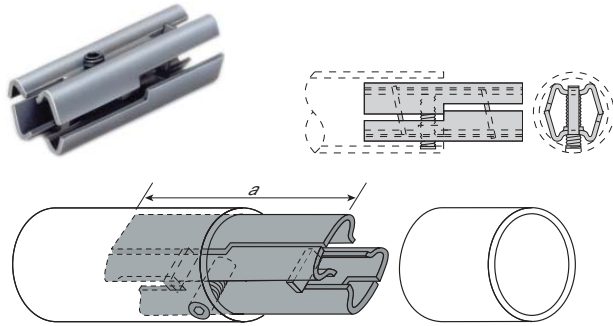
SINGLE-LOCK SPLICE-LOCK™ PATENTED

Splice-locks™ are designed for the alignment of handrail sections and as expansion joints. They are most effective as a joint stiffener when used within 12" of a welded post or handrail bracket.

The screw hole is threaded into the connector and the **Splice-Lock's** prongs hold the piece together as a unit allowing for simple insertion into the pipe or tube. The set screw is a headless socket with a cup end.

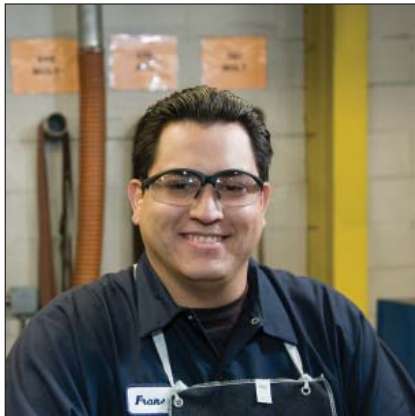
Splice-locks™ have a similar shear strength as standard pipe but are not to be used in post assemblies.

Single-Lock Splice-Locks™ are for use as connectors or expansion joints. For maximum strength, use **Double-Lock Splice-Locks™**. Go to page 169 to view **Double-Lock Splice Locks™** and other available connectors.



SINGLE SPLICE-LOCK™ FOR PIPE AND ROUND TUBING
Use as Connectors or Expansion Joints

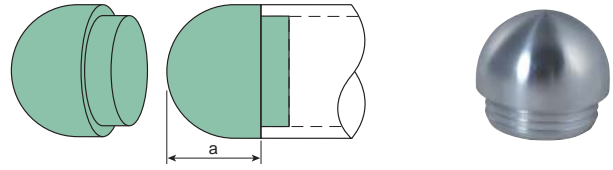
Pipe	Sch.	Tube Diameter	Wall Thickness	a	Aluminum	Stainless	Set Screw
1 1/2"	40	1.900"	.145"	3 3/4"	3319	3321	3/8" x 1 3/8"
1 1/2"	40	1.900"	.145"	6"	3345	3349	3/8" x 1 3/8"



Francisco • Polishing



All metals have a recycled content and high reclamation rate. Contact **Wagner** for data relating to your specific product selections.

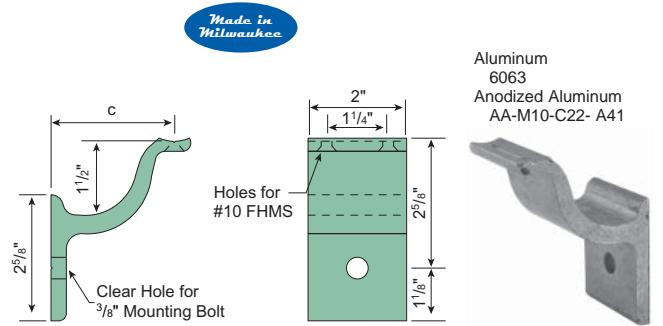


TYPE A MACHINED DRIVE-ON END CAPS FOR PIPE

Debur inside of pipe to give chamfered caps an easy start. Refer to pages 206 to 209 for other end caps.

Pipe Size	Tube OD	a	Aluminum	Clear Anodized Aluminum
1 1/2"	1.900"	1 1/8"	3232AM•	3232AM.AN

• Denotes part shown in photograph



EXTRUDED HANDRAIL BRACKET SQUARE BASE

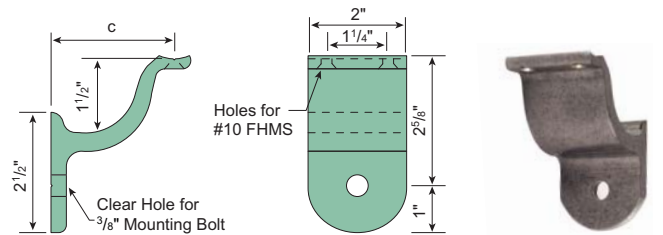
c	6063 Aluminum	Anodized Aluminum
2 1/2"	ER8103	ER8103A
3 1/4"	ER8003	ER8003A

LONG LENGTH SHAPE

This extruded handrail shape is available in 5' lengths with no holes.

c	6063 Aluminum	lb/ft	length
2 1/2"	BER8103	2.50	5'
3 1/4"	BER8003	2.50	5'

The **Extruded Handrail Bracket** meets codes requiring a 1 1/2" minimum clearance between the handrail and the wall and the underside of the handrail and horizontal bracket arm.



EXTRUDED HANDRAIL BRACKET ROUND BASE

c	6063 Aluminum	Anodized Aluminum
2 1/2"	ER8104	ER8104A
3"	ER8004	ER8004A