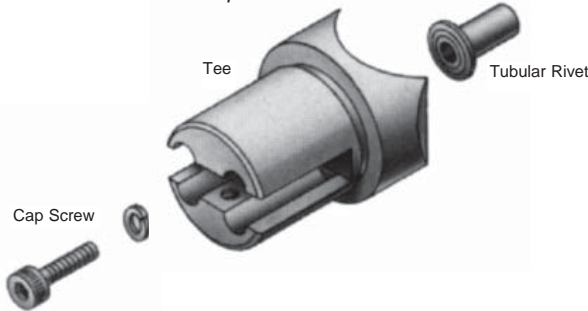


1. After drilling  $27/64$ " diameter hole, tubular rivet is inserted.
2. A rivet setting tool is then used to crimp the rivet inside the pipe wall.
3. Once in position, the fitting is connected to the vertical pipe with the use of a socket head cap screw.



- May be purchased as individual fittings and pipe or assembled components.
- Designed to allow for easy site assembly and installation of handrail on both new construction or alterations.
- All hardware is stainless steel and anodized aluminum.



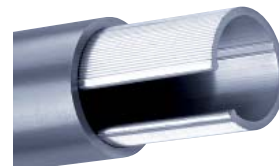
**COVER FLANGE**  
Aluminum  
1477

For other available flanges, go to pages 188 to 203.



**SOLID DOWEL**  
Aluminum  
IR93200

The solid dowel is inserted into Schedule 40 pipe posts to increase the system's load bearing ability.



**INSERT COUPLING**

Pipe Size	Tube OD	Extruded Aluminum
1 1/2"	1.900"	SA517

5" Long  
Friction fit. Set in place with **Epoxy**.



**SINGLE LOCK SPLICE-LOCK™**

Length	Aluminum	Stainless
3 3/4"	3319	3321
6"	3345	3349

**Single-Lock.** Go to page 169 to view **Double-Lock Splice Locks** and other available connectors.

SET SCREW	Stainless
3/8" - 16 x 1 1/16"	IR81913

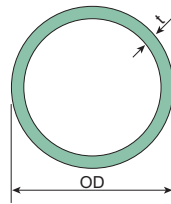
THROUGH BOLT	Stainless
5/16" - 18 Square Nut	IR78212
5/16" - 18 x 3 1/4" Socket Head Cap Screw	IR7813
Lock Washer for 5/16" Bolt	9572B



Curtis • Shipping



3M™ SCOTCH-WELD™ EPOXY	
Applicator Gun with Plunger, 1 50 ml Epoxy and 2 Tips	EPX100
1 50ml Epoxy Cartridge Refill and 2 Tips	EPX100R
Plunger	EPX100P



**PIPE**

Pipe Size	Sch.	OD	ID	t	6063-T6 Anodized Aluminum	6063-T6 Satin Anodized Aluminum
1 1/2"	40	1.900"	1.610"	.145"	P560	P565
1 1/2"	80	1.900"	1.500"	.200"	P582	P585

Schedule 40 pipe is suitable for use as horizontal railing or vertical posts. To increase a railing's load bearing ability, use schedule 80 pipe in fabricating your vertical post assemblies or use schedule 40 pipe in combination with the **IR93200 Solid Dowel**.



**THREADED RIVET SETTER**

Use with **IR9561** **IR-TS**  
For larger jobs, a pneumatic rivet setting tool is available. Contact **Wagner** for availability.

THREADED RIVETS	Anodized Aluminum
5/16" - 18 x .94"	IR9561

WAGNER RAIL SYSTEM

GLASS RAILING

CABLE RAILING

SPIRAL STAIRS BALCONIES

ALUMINUM RAILINGS

BRASS / SS FITTINGS