

WAGNER RAIL SYSTEM

GLASS RAILING

CABLE RAILING

SPIRAL STAIRS BALCONIES

ALUMINUM RAILINGS

BRASS / SS FITTINGS

INTERNA-RAIL® PIPE RAILING SYSTEM

- All fittings on these pages are for use with 1½" schedule 40 aluminum pipe, unless noted.
- For additional strength, use schedule 80 pipe and tees for posts or solid dowel insert with schedule 40 pipe.
- Pipe is supplied with a clear anodized, 204-R1 finish.
- Fittings are supplied with a clear anodized, 215-R1 finish.
- Pre-assembled vertical posts can be purchased and shipped with fittings in place.



Set screw location faces down.



ACUTE ANGLE TEE

Schedule	Angle Range	Cast Aluminum
Schedule 40	3°-5°	IR173.4
Schedule 40	17°-19°	IR173.18
Schedule 40	28°-30°	IR173.29
Schedule 40	31°-33°	IR173.32
Schedule 40	34°-36°	IR173.35
Schedule 40	37°-39°	IR173.38
Schedule 80	3°-5°	IR178.4
Schedule 80	17°-19°	IR178.18
Schedule 80	28°-30°	IR178.29
Schedule 80	31°-33°	IR178.32
Schedule 80	34°-36°	IR178.35
Schedule 80	37°-39°	IR178.38

OBTUSE ANGLE TEE

Schedule	Angle Range	Cast Aluminum
Schedule 40	3°-5°	IR174.4
Schedule 40	17°-19°	IR174.18
Schedule 40	28°-30°	IR174.29
Schedule 40	31°-33°	IR174.32
Schedule 40	34°-36°	IR174.35
Schedule 40	37°-39°	IR174.38
Schedule 80	3°-5°	IR179.4
Schedule 80	17°-19°	IR179.18
Schedule 80	28°-30°	IR179.29
Schedule 80	31°-33°	IR179.32
Schedule 80	34°-36°	IR179.35
Schedule 80	37°-39°	IR179.38



90° ELBOW

Cast Aluminum

Schedule 40 **IR130**
For other available elbows and angles, go to pages 172 to 187.



90° TEE

Cast Aluminum

Schedule 40 **IR155**
Schedule 80 **IR158**



90° CORNER TEE (set of two)

Cast Aluminum

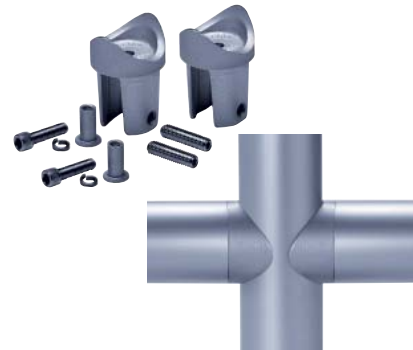
Schedule 40 **IR159**
Schedule 80 **IR159.80**



END CAP

Cast Aluminum

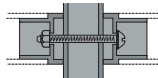
Schedule 40 **IR162**
Schedule 80 **IR162.80**
For other available end caps, go to pages 206 to 209.



CROSS

Cast Aluminum

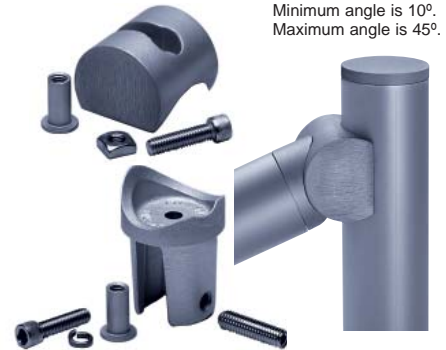
Set of two **IR155** 90° Tees. **IR157**
Bolts and threaded rivets not included; order separately (page 77) or you may use a through bolt with lock washer and nut.



ADJUSTABLE OBTUSE ANGLE TEE

Cast Aluminum

Schedule 40 **IR172**
May be adjusted to stair or ramp angle as needed. Contains Tee and Trunion fittings and hardware.



Minimum angle is 10°. Maximum angle is 45°.

ADJUSTABLE ACUTE ANGLE TEE

Cast Aluminum

Schedule 40 **IR171**
May be adjusted to stair or ramp angle as needed. Minimum angle is 10°. Maximum angle is 45°. Contains Tee and Trunion fittings and hardware.