

**FIELD INSTALLED PUSH-LOCK™ STUDS REQUIRE NO SWAGING OR SPECIAL TOOLS**

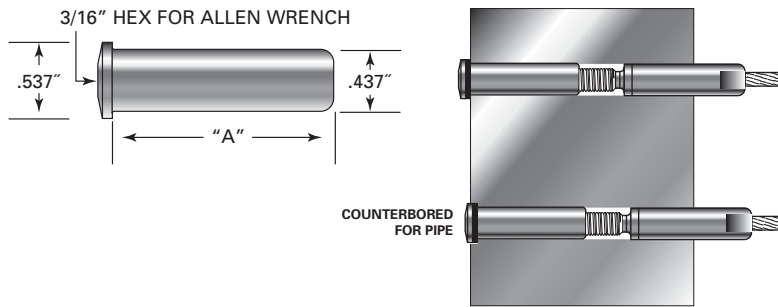
**NO FIELD SWAGING**

Similar to our *Invisiware*® receivers but when used with *Push-Lock*™ studs there is no need to swage the threaded stud onto the cable. *Receivers* with *Push-Lock*™ swageless studs can be used with any fitting on the other end but when used with our other swageless fittings, both ends can be put on the cable by hand without any swaging or special tools.

**EASY TO INSTALL**

*Push-Lock*™ studs are designed for use with 1 x 19 L.H. lay strand only. Push the cable into the *Push-Lock*™ swageless stud, where it will be securely held inside the fitting. The receiver is female-threaded to accept the male-threaded end of the fitting. The head of the receiver is broached for an Allen wrench. To tension the cable, use an Allen wrench to rotate the receiver around the threaded end of the stud.

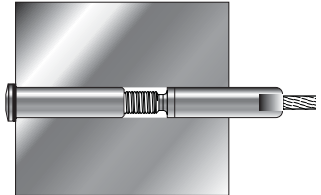
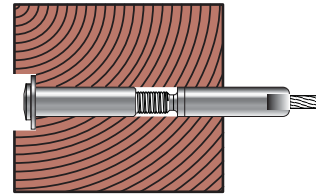
**PUSH-LOCK™  
Type 316 Stainless Steel**



**USE WITH METAL OR WOOD POSTS**

The receiver with *Push-Lock*™ stud rests inside your metal or wood end post.

For use in wood, the fitting can rest against the outside of the end post or the post can be counterbored with the fitting recessed in the post. For wood applications, a larger diameter washer is needed to distribute the load over a wider surface. See **CR716SAE Stainless Steel Washer**.



WAGNER RAIL SYSTEM

GLASS RAILING

CABLE RAILING

SPIRAL STAIRS BALCONIES

ALUMINUM RAILINGS

BRASS / SS FITTINGS

Cable Size	Use With Swageless Stud #	A = Length of Receiver Body	Receiver
1/8"	CRPLST4	1.562"	CRR612
1/8"	CRPLST4	1.812"	CRR622
1/8"	CRPLST4	2.030"	CRR632
1/8"	CRPLST4	2.301"	CRR642
1/8"	CRPLST4	2.375"	CRR672
1/8"	CRPLST4	3.030"	CRR652
1/8"	CRPLST4	3.562"	CRR662

**CABLE RELEASE**

Releases cable from *Push-Lock*™ and *Pull-Lock*™ type fittings before cables are tensioned.

Cable Release **CRPLKEY**



**USE PUSH-LOCK™ FITTINGS ON STAIRS OR SEVERE PITCHES WITH SPECIAL BEVELED WASHERS.**

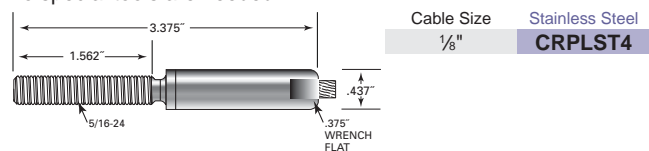
Special stainless steel beveled washers let you use *Push-Lock*™ tensioners on stairs or severe pitches with flat-sided metal posts. (Not offered for pipe or round tubing.)

With wood posts, you need to counterbore a 1" diameter hole at an angle, to accept the over-sized stainless steel washer that distributes the load over a wider surface than is required with a metal post.

Pitch / Angle	1/8" Cable
30° - 33°	CRBW326
34° - 36°	CRBW356
37° - 39°	CRBW386

**PUSH-LOCK™ SWAGELESS STUD**

The *Push-Lock*™ swageless stud is installed onto the end of the cable by hand, by pushing the cable into the fitting where it is held securely inside. No swaging is required, and other than a cable cutter, no special tools are needed.



BEVELED WASHER

