

WAGNER RAIL SYSTEM

FIELD INSTALLED PULL-LOCK™ FITTINGS MAKE CABLE RAILINGS EASY TO INSTALL

NO FIELD SWAGING

Pull-Lock™ fittings are designed for use with 1 x 19 L.H. lay strand only. They can be used with any tensioning device on the other end, but when used with our swageless tensioners, both ends can be put on the cable by hand without any swaging or special tools.

EASY TO INSTALL

You can order your cables with a tensioner already on one end or you can install a tensioner on one end on site. Attach the tensioner on one end post, slip the *Pull-Lock™* fitting into the other end post and pull the cable all the way through the *Pull-Lock™* fitting. Tension the cables, then cut the excess cable off on the back side of the fitting with a 4" right angle grinder or a cutting wheel that is used with your hand drill. Press on the stainless steel cap to cover the bare cable end, and you're done!

USE WITH METAL OR WOOD POSTS

Pull-Lock™ fittings are used with pipe and with round, square, or rectangular metal tubing. When used with an end post 1½" or more in thickness, the *Pull-Lock™* fitting is hidden inside the end post, with only the head exposed on the outside of the post. Pipe ends are counterbored so the full perimeter of the screw cap head rests on a flat surface in the pipe. The head rests on the outside wall of a flat-sided metal post. A *Plastic Washer* is included and acts as a scratch-resistant barrier between the screw cap head and the metal post. For wood applications, also order **CR716SAE Stainless Steel Washer**.

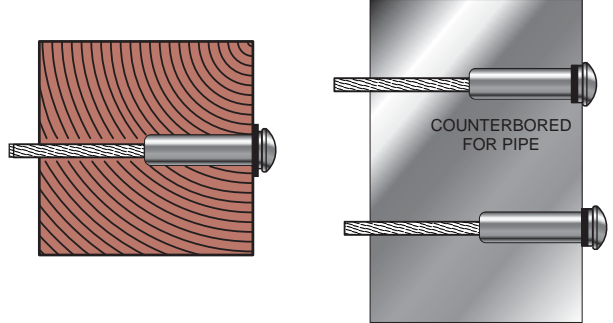
GLASS RAILING

CABLE RAILING

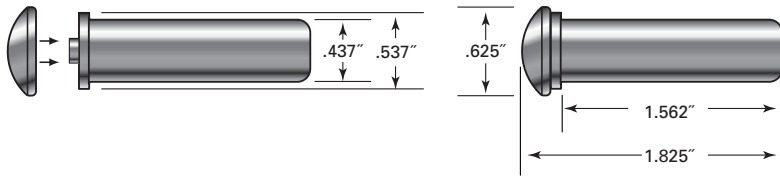
SPIRAL STAIRS BALCONIES

ALUMINUM RAILINGS

BRASS / SS FITTINGS



PULL-LOCK™ Type 316 Stainless Steel

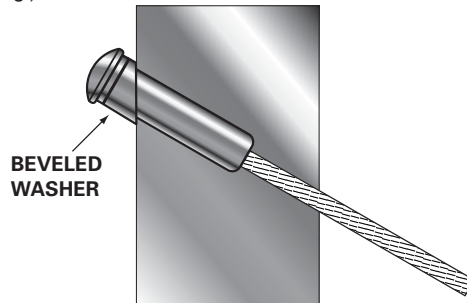


Cable Size	Frame Options	Stainless Steel	For Wood Post Use Washer #
1/8"	1.500" Tube	CRPUL4M	CR716SAE
1/8"	1 1/4" Pipe	CRPUL4M	CR716SAE
1/8"	Other Frames	CRPUL4	CR716SAE

USE PULL-LOCK™ STOP-END FITTINGS ON STAIRS WITH SPECIAL BEVELED WASHERS.

Special stainless steel beveled washers let you use *Pull-Lock™* fittings on stairs and severe pitches with flat-sided metal frames. (Not offered for pipe or round tubing.)

Pitch / Angle	1/8" Cable
30° - 33°	CRBW326
34° - 36°	CRBW356
37° - 39°	CRBW386



CONVENIENT CUTTING TOOL

To cut the cable flush with the end of the *Pull-Lock™* fitting, a 4" right angle grinder with a cut-off wheel is ideal. For those who do not have that type of hand tool, a cutting tool for use with a hand drill is available.

CUTTING TOOL CRCUTOFFKIT

