

5. SEAL TOP OF SHOE

Seal top of shoe with **Top Gasket** to finish of the **Shoe Moulding** pocket. Rubber **Top Gasket** finishes off the top of the shoe moulding pocket after glass has been set. A **Vinyl Roller Tool** is available to simplify installation.

When a more positive seal is required for exterior applications, roll in a $\frac{3}{8}$ " **Foam Backer Rod** and run a cap bead of Neutral Cure Silicone over it. Weep holes should also be provided with exterior applications.

TOP GASKET FOR SHOE

$\frac{1}{2}$ " Wide x $\frac{7}{16}$ " High,
EPDM – 50-60 Durometer.

| | |
|-------------------|-------------------|
| Gasket 25' | GR9398-25 |
| Gasket 50' | GR9398-50 |
| Gasket 100' | GR9398-100 |
| Gasket 500' | GR9398 |
| Vinyl Roller Tool | VR04 |



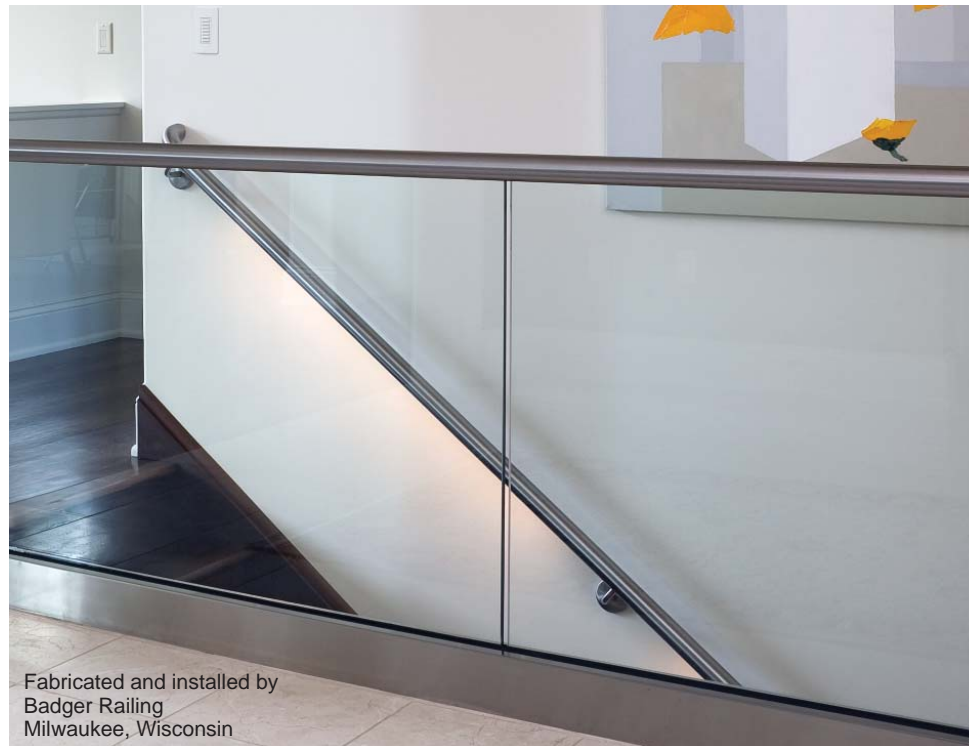
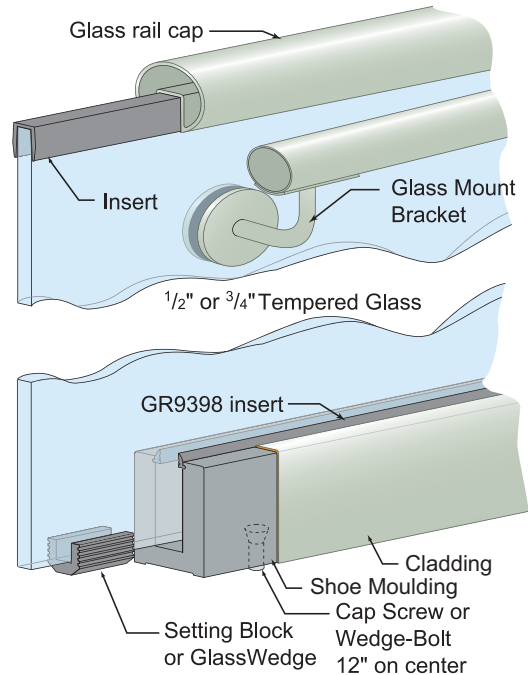
BACKER ROD

Foam Backer Rod, $\frac{3}{8}$ " **GR9B38**
 $\frac{3}{8}$ " Stepped Roller Tool **GWFR38**

SILICONE

Neutral cure, waterproof formula. Used to adhere cladding to base shoe, cap rail to glass and seal over backer rod.

Black, 10.3 fl.oz. **GR95CBL**



Fabricated and installed by
Badger Railing
Milwaukee, Wisconsin



PGSAMPLE
NEW PATENTED PANELGRIP™
Request a PanelGrip Sample and see how much easier your installations can be.

WAGNER
RAIL
SYSTEM

GLASS
RAILING

CABLE
RAILING

SPIRAL STAIRS
BALCONIES

ALUMINUM
RAILINGS

BRASS / SS
FITTINGS