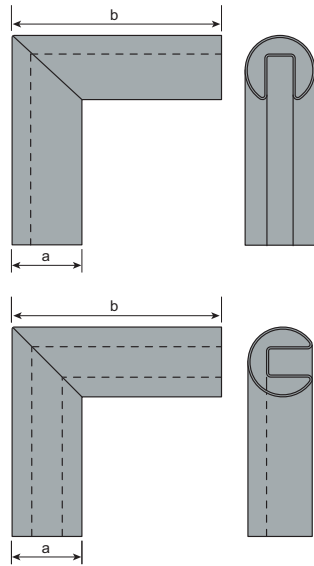


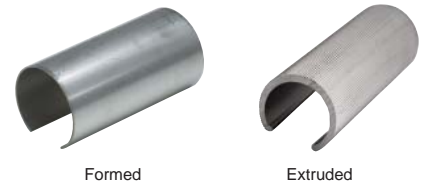
**FITTINGS**

Available in satin and polished finishes. Satin finishes are longitudinal or circumferential and availability varies by material and size. Contact **Wagner** regarding finish options.



**VERTICAL MITER ELBOW**  
Miter Elbows require **Internal Splice** for attachment to **Slotted Tubing**.

Note: Photo depicts 2.50" OD Glass Rail Cap.



**INTERNAL SPLICE**  
Sleeve style varies based on **Cap Rail**. **Roll Formed Sleeves** are set into place with **Lido-Weld Adhesive**. **Extruded Aluminum Sleeves** require **3M™ Scotch-Weld™ Epoxy**. Confirm at the time of your order.

**HORIZONTAL MITER ELBOW**  
Miter Elbows require **Internal Splice** for attachment to Slotted Tubing.



Note: Photo depicts 2.50" OD Glass Rail Cap



**END CAPS**  
Design varies by diameter. Confirm at time of order.

a	b	Alloy	Cap Rail	Horizontal Miter Corner Satin Finish	Horizontal Miter Corner Polished Finish	Vertical Miter Corner Satin Finish	Vertical Miter Corner Polished Finish	End Cap Satin Finish	End Cap Polished Finish	Internal Splice
1.66"	6"	Aluminum	GR2166	GR2166MK.4	GR2166MK.7	GR2166MKV.4	GR2166MKV.7	GR2166EM	GR2166EM.7	GR2166S
1.90"	6"	Aluminum	GR2190	GR2190MK.4	GR2190MK.7	GR2190MKV.4	GR2190MKV.7	GR2190EM	GR2166EM.7	GR2190S
2.00"	6"	Aluminum	GR2200	GR2200MK.4	GR2200MK.7	GR2200MKV.4	GR2200MKV.7	GR2200E.4	GR2200E.7	GR2200S
2.50"	6"	Aluminum	GR2250	GR2250MK.4	GR2250MK.7	GR2250MKV.4	GR2250MKV.7	GR2250E.4	GR2250E.7	GR2250S
1.50"	6"	Stainless	GR315L	GR315LMK.4	GR315LMK.7	GR315LMKV.4	GR315LMKV.7	GR315LE.4	GR315LE.7	GR315LS
1.66"	6"	Stainless	GR3166	GR3166MK.4	GR3166MK.7	GR3166MKV.4	GR3166MKV.7	GR3166EM	GR3166EM.7	GR3166S
1.90"	6"	Stainless	GR3190	GR3190MK.4	GR3190MK.7	GR3190MKV.4	GR3190MKV.7	GR3190EM	GR3190EM.7	GR3190S
2.00"	6"	Stainless	GR3200	GR3200MK.4	GR3200MK.7	GR3200MKV.4	GR3200MKV.7	GR3200E.4	GR3200E.7	GR3200S
2.00"	6"	Stainless	GR320L	GR320LMK.4	GR320LMK.7	GR320LMKV.4	GR320LMKV.7	GR320LE.4	GR320LE.7	GR320LS
2.50"	6"	Stainless	GR3250	GR3250MK.4	GR3250MK.7	GR3250MKV.4	GR3250MKV.7	GR3250E.4	GR3250E.7	GR3250S
2.50"	6"	Stainless	GR325L	GR325LMK.4	GR325LMK.7	GR325LMKV.4	GR325LMKV.7	GR325LE.4	GR325LE.7	GR325LS
3.00"	6"	Stainless	GR330L	GR330LMK.4	GR330LMK.7	GR330LMKV.4	GR330LMKV.7	GR330LE.4	GR330LE.7	GR330LS
3.50"	6"	Stainless	GR335L	GR335LMK.4	GR335LMK.7	GR335LMKV.4	GR335LMKV.7	GR335LE.4	GR335LE.7	GR335LS
4.00"	6"	Stainless	GR340L	GR340LMK.4	GR340LMK.7	GR340LMKV.4	GR340LMKV.7	GR340LE.4	GR340LE.7	GR340LS
1.50"	6"	Brass	GR415L	GR415LMK.4	GR415LMK.7	GR415LMKV.4	GR415LMKV.7	GR415LE.4	GR415LE.7	GR415LS
2.00"	6"	Brass	GR420L	GR420LMK.4	GR420LMK.7	GR420LMKV.4	GR420LMKV.7	GR420LE.4	GR420LE.7	GR420LS
2.00"	6"	Brass	GR420V	GR420VMK.4	GR420VMK.7	GR420VMKV.4	GR420VMKV.7	GR420VE.4	GR420VE.7	GR420VS
2.50"	6"	Brass	GR425L	GR425LMK.4	GR425LMK.7	GR425LMKV.4	GR425LMKV.7	GR425LE.4	GR425LE.7	GR425LS
2.50"	6"	Brass	GR425V	GR425VMK.4	GR425VMK.7	GR425VMKV.4	GR425VMKV.7	GR425VE.4	GR425VE.7	GR425VS
3.00"	6"	Brass	GR430L	GR430LMK.4	GR430LMK.7	GR430LMKV.4	GR430LMKV.7	GR430LE.4	GR430LE.7	GR430LS
3.50"	6"	Brass	GR435L	GR435LMK.4	GR435LMK.7	GR435LMKV.4	GR435LMKV.7	GR435LE.4	GR435LE.7	GR435LS
4.00"	6"	Brass	GR440L	GR440LMK.4	GR440LMK.7	GR440LMKV.4	GR440LMKV.7	GR440LE.4	GR440LE.7	GR440LS

**ADHESIVE**

For connections of all metals – including aluminum – where air flow permits curing, use **3M™ Scotch-Weld™ Epoxy**.

For stainless steel and brass connections where metal-to-metal contact restricts air curing, use **Lido-Weld Adhesive**.



**3M™ SCOTCH-WELD™ EPOXY**  
Applicator Gun with Plunger, 1 50 ml Epoxy and 2 Tips **EPX100**  
1 50ml Epoxy Cartridge Refill and 2 Tips **EPX100R**  
Plunger **EPX100P**



**LIDO-WELD ADHESIVE**  
Part Number **14664**  
1.10 ounce



**Custom Miter Elbows** Are Available Upon Request