



WAGNERAIL SYSTEM

GLASS RAILING

CABLE RAILING

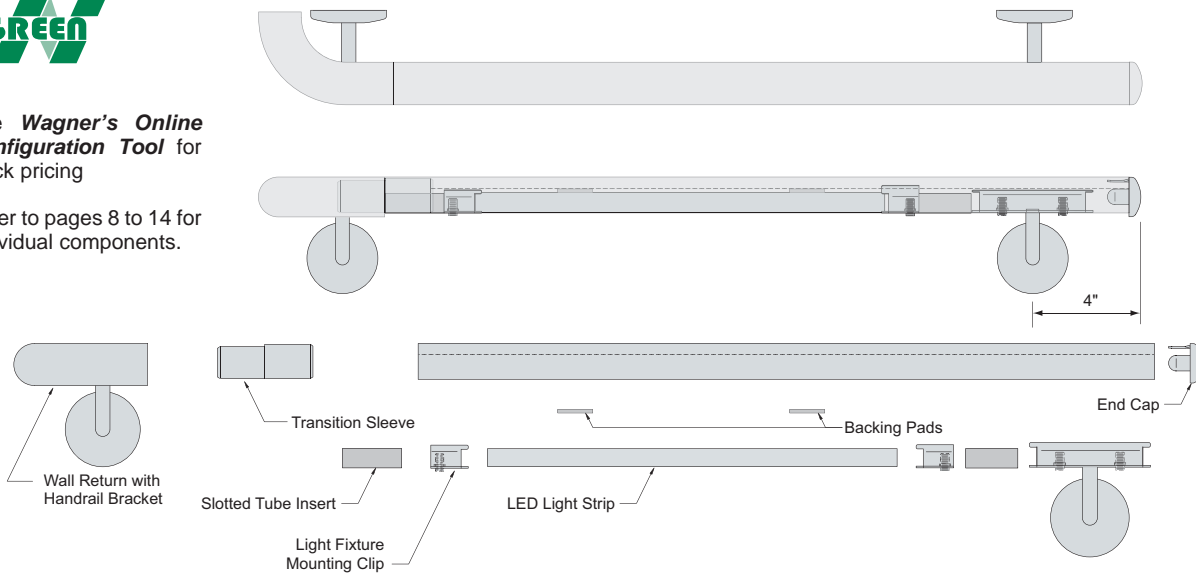
SPIRAL STAIRS BALCONIES

ALUMINUM RAILINGS

BRASS / SS FITTINGS

Use *Wagner's Online Configuration Tool* for quick pricing

Refer to pages 8 to 14 for individual components.



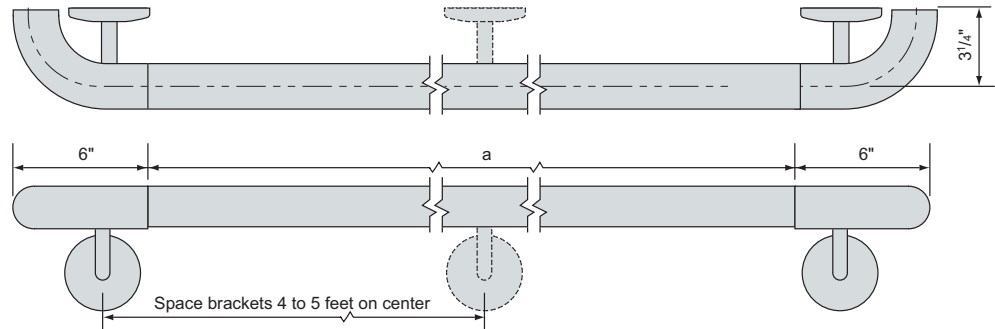
These *Lumenrail®* assemblies house a low voltage LED based *Light Stick* which fits into the underside of the *Cap Rail*. It comes with the linear *Light Stick* and required power supplies – *Drivers*. Electrical *daisy chain* connections must be made on site. 120 or 277 volt *Drivers* are available. The *Drivers* must be remotely located.

**WALL MOUNT WITH WALL RETURNS**

If the "a" dimension is greater than 54", Wall Bracket Assemblies and additional LED fixtures will be included, as necessary.

Assemblies where the "a" dimension is between 11" and 54" will include:

- **Cap Rail**
- Two **Wall Returns** with **Brackets** – one left, one right.
- Two **Transition Sleeves**
- **LED Light Stick**
- **Driver** (Power Supply)
- Two Light **Mounting Clips**
- **Backing Pads**
- **Slotted Tube Insert**
- **Epoxy Adhesive**



**WALL MOUNT WITH END CAPS**

If the "a" dimension is greater than 60", Wall Bracket Assemblies and additional LED fixtures will be included, as necessary.

Assemblies where the "a" dimension is between 20" and 60" will include:

- **Cap Rail**
- Two **Handrail Brackets**
- Two **End Caps**
- **LED Light Stick**
- **Driver** (Power Supply)
- Two Light **Mounting Clips**
- **Backing Pads**
- **Slotted Tube Insert**
- **Epoxy Adhesive**

