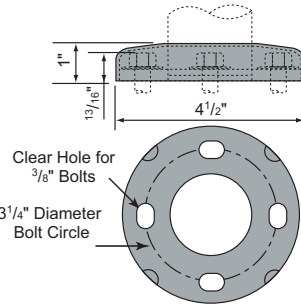


**SURFACE MOUNT**

Weld **Snap-On Cover Flange Base** to selected post.

Mount the **Flange Base** to your surface using 3/8" bolts – supplied by others. Be sure to select fasteners appropriate for your substrate.

Drop **Cover Flange** into place and snap-on. The secure connection of cover to base is provided by formed tabs produced with precise tolerances.



Refer to pages 188 to 200 for **Wagner's** complete line of **Flanges**.



**SNAP-ON COVER FLANGE BASE**

**Flange Base** must be welded to the base of the Post. **Wagner** can provide these pre-assembled upon request. Aluminum are .250" thick; Stainless are .180" thick.

Pipe Size	Tube OD	Diameter	3003		304	
			Aluminum	Stainless	Aluminum	Stainless
1 1/4"	1.660"	4 3/8"	2066B	2067B		
1 1/2"	1.900"	4 3/8"	2076B	2077B		

**COVER FLANGE**

18 gauge, Satin Finish  
Will mechanically attach to **Snap-On Cover Flange Base** or use as a **Cover Flange** in embedded post applications.

Pipe Size	Tube OD	Cover Diam.	Height	3003		304	
				Aluminum	Stainless	Aluminum	Stainless
1 1/4"	1.660"	4 1/2"	1.000"	2066.4	2067.4		
1 1/2"	1.900"	4 1/2"	1.000"	2076.4	2077.4		

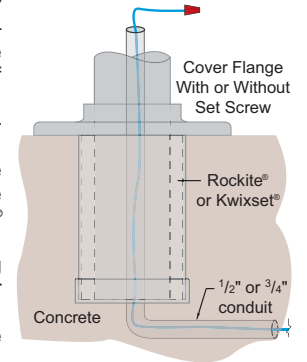
**HEAVY BASE PLAIN FLANGE WITH SET SCREW**

Satin Finish  
For use as a **Cover Flange** only. Set screws are not for structural use.

Pipe Size	Tube OD	Aluminum		Stainless	
		Aluminum	Stainless	Aluminum	Stainless
1 1/4"	1.660"	1469.4	1529.4		
1 1/2"	1.900"	1477.4	1537.4		

**EMBEDDED MOUNT**

- In new installations, use **Wagner Post Sleeves** or **EZ Sleeves** – shown on page 201 – to locate anchor holes for setting posts. If wire is to be routed through post, conduit and wire must be cast-in-place as well.
- In the case of existing concrete surfaces, holes must be core drilled to accept the **Lumenrail®** posts.
- Posts are set into place using **Rockite®** or **Kwixset®** anchor cement.
- Use optional flange to cover the grout ring.



**ANCHOR AND PATCHING EXPANSION CEMENT**



For interior applications use **Rockite®**. For exterior applications use **Kwixset®**. Refer to page 202 for more information on **Rockite®** and **Kwixset®** Cement.



**ROCKITE®**

Anchor Cement  
50 lb. pail **RK10051**  
10 lb. box **RK10010**  
Follow package instructions.

**KWIXSET®**

Exterior Anchor Cement  
50 lb. pail **KW10402**  
25 lb. box **KW10401**  
Follow package instructions.

**EZ SLEEVE**

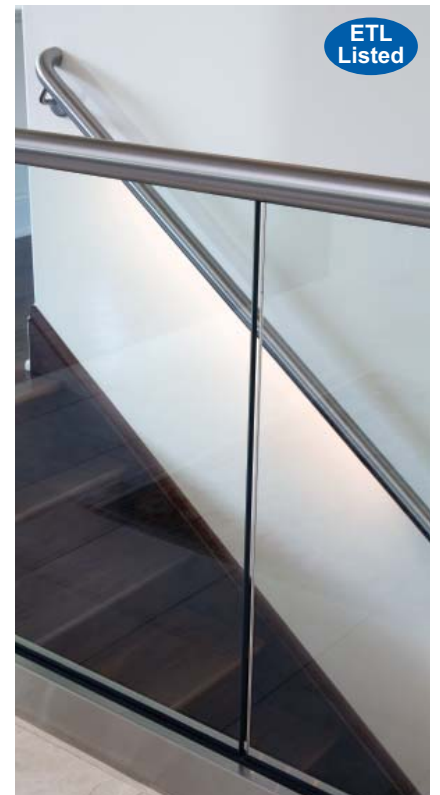
**EZ3006**  
See page 201 for more information.



Melody • Sales



Nick • Bending



WAGNER RAIL SYSTEM

GLASS RAILING

CABLE RAILING

SPIRAL STAIRS BALCONIES

ALUMINUM RAILINGS

BRASS / SS FITTINGS